

PRODUCT SPECIFICATION

CX215-90



CX215-90 is a self-powered, two-way, wide-dispersion loudspeaker offering precise high-output capability in a compact, efficient enclosure.

Each powered cabinet houses a high-efficiency 2000W Class D amplifier with built-in DSP. Innovative post-filter feedback Class D topology achieves ruler-flat frequency response, low distortion, and high damping across the audio band.

The high-frequency section consists of a 3" titanium diaphragm compression driver coupled to a 90° x 40° rotatable horn with outstanding pattern control. A 1200W high power 15" low/mid transducer with a 4" voice coil and powerful external neodymium magnet assembly assure high flux concentration, low power compression, and excellent heat exchange, allowing for seamless midrange and extended low frequency response.

Output Capability

Frequency Response...40 Hz-20 kHz
Maximum SPL.....136 dB *

Acoustic Properties

Design.....Two-Way Trapezoidal
Coverage Pattern.....90° x 40° Rotatable
DSP Presets.....Full Range
70 Hz & 90 Hz High-Pass
HF -3 dB

Transducers

Low-Frequency.....15" High-Excursion Neodymium
High-Frequency.....3" Diaphragm, 1.4" Exit

Amplification

Amplifier.....Class D
Amplifier Power.....2,000 W
Operating Voltage.....Auto-Switching 100-240 V, 50-60 Hz
Power Consumption...220 W

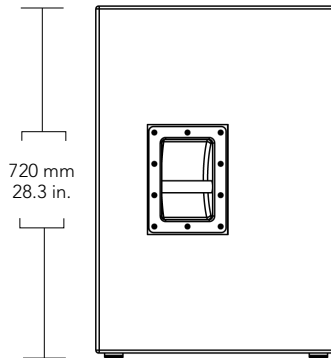
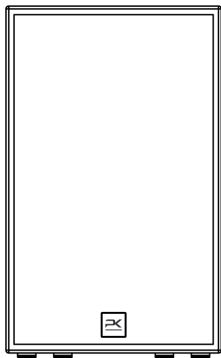
Input/Output Connections

Audio Input.....Balanced XLR
Audio Through.....Balanced XLR
Power.....powerCON

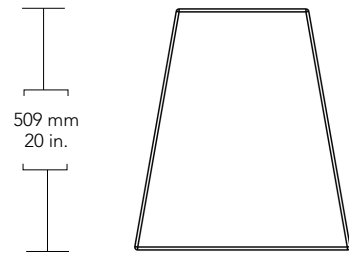
Physical Properties

Weight.....37.2 kg/82 lb.
(W x H x D).....449 x 720 x 509 mm
17.7 x 28.3 x 20 in
Module Construction...Void-Free, High-Grade Baltic Birch
Rigging Construction...L-Track for Suspension
External Coating.....EXL Polyurea
Grill.....Perforated Metal lined with Acoustical Black Foam

* Maximum SPL with Pink Noise Crest Factor 4 at 1m (with limiters & DSP active)



720 mm
28.3 in.



509 mm
20 in.